

SPLIT

NEW
Cassette
 Circular Flow
 Comfort for Large Room



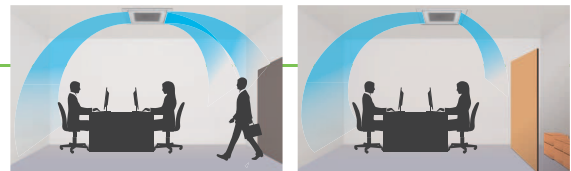
UTG-UKYA-B
 Black Color Grille



(30/36/
 45/54)

Unique Circular Flow design

Cassette type realizes Circular Flow to blow large airflow in 360° direction by mounting high performance DC fan motor, turbo fan and unique seamless airflow louver design.



Comfortable air conditioning by preventing direct blowing of cold air and by providing swinging air flow simultaneously.

Efficient air conditioning based on the room layout

Individual louver control

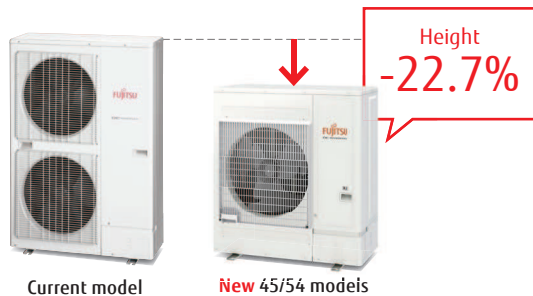
Each louver can be set individually by Touch Panel Wired Remote Controller to enjoy the comfort of different directional airflows according to various room layouts.

*Touch Panel Wired RC (UTY-RNRYZ3) only

Human sensor increases more energy saving
 Energy saving operation starts automatically by detecting the motion of a person. 2 modes of save operation mode and stop mode can be selected.

Compact and lightweight outdoor unit

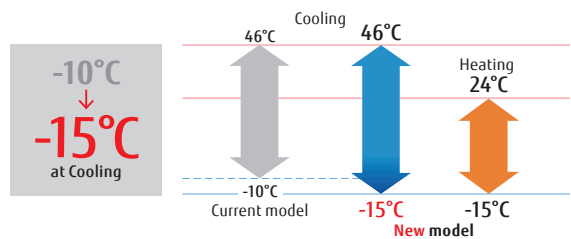
45 model outdoor unit was changed completely. Easier installation was realized by compact and lightweight outdoor unit.



Current model

New 45/54 models

Low ambient operation

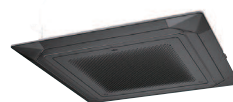


Various Cassette Grille

Both, black and white color grilles are available. There are three types: white color grille with Remote Controller, only white color grille and only black color grille. Selectable according to the atmosphere and/or usage of the room.



UTG-UKYA-W
 White Color Grille
 With touch panel wired remote controller



UTG-UKYA-B
 Black Color Grille



UTG-UKYC-W
 White Color Grille

**Model: AUXG18KRLB / AUXG22KRLB / AUXG24KRLB
AUXG30KRLB / AUXG36KRLB / AUXG45KRLB / AUXG54KRLB**



Specifications

Model No.	Indoor unit		AUXG18KRLB	AUXG22KRLB	AUXG24KRLB	AUXG30KRLB	AUXG36KRLB	AUXG45KRLB	AUXG54KRLB
	Outdoor unit		AOYG18KBTB	AOYG22KBTB	AOYG24KBTB	AOYG30KBTB	AOYG36KBTB	AOYG45KBTB	AOYG54KBTB
Power Source			Single-phase, ~230V, 50Hz						
Capacity	Cooling	kW	5.2 (0.9-5.9)	6.0 (0.9-6.7)	6.8 (0.9-8.0)	8.5 (2.8-10.0)	9.5 (2.8-11.2)	12.1 (4.0-14.0)	13.4 (4.5-14.5)
	Heating		6.0 (0.9-7.5)	7.0 (0.9-8.0)	7.5 (0.9-9.1)	10.0 (2.7-11.2)	10.8 (2.7-12.7)	13.5 (4.2-16.2)	15.5 (4.7-16.5)
Input Power	Cooling/Heating	kW	1.36/1.58	1.71/1.82	1.89/1.90	2.44/2.51	2.91/2.45	3.61/3.21	4.41/4.16
EER	Cooling	W/W	3.82	3.51	3.60	3.49	3.26	3.35	3.04
	Heating		3.80	3.85	3.95	3.98	4.40	4.20	3.73
COP	Cooling/Heating(-10°C)	kW	5.2/4.4	6.0/4.8	6.8/6.0	8.5/8.0	9.5/8.7	-	-
	Cooling		7.00	7.00	6.60	6.70	6.55	-	-
SEER	Cooling	W/W	4.30	4.40	4.20	4.30	4.30	-	-
	Heating (Average)		4.30	4.40	4.20	4.30	4.30	-	-
SCOP	Cooling	W/W	A++	A++	A++	A++	A++	-	-
	Heating (Average)		A+	A+	A+	A+	A+	-	-
Max. Operating Current	Cooling/Heating	A	12.1	12.6	13.6	22.6	22.6	28.5	28.5
Annual Energy Consumption	Cooling	kWh/a	260	300	360	444	507	-	-
	Heating		1,431	1,527	1,999	2,601	2,828	-	-
Moisture Removal		l/h	1.5	2.2	2.7	2.5	3.3	4.5	5.0
Sound Pressure Level	Indoor (Cooling)	H/M/L/Q	33/32/31/28	33/32/31/28	35/33/32/29	40/38/36/33	44/41/38/34	46/42/39/35	47/43/40/36
	Indoor (Heating)	H/M/L/Q	33/32/31/28	33/32/31/28	35/33/32/29	40/38/36/33	44/41/38/34	46/42/39/35	47/43/40/36
	Outdoor(Cooling/Heating)	High	50/50	51/51	53/54	53/55	55/55	57/57	57/59
Sound Power Level	Indoor(Cooling/Heating)	High	47/47	49/49	49/49	54/54	58/58	60/60	61/61
	Outdoor(Cooling/Heating)	High	62/62	63/63	65/66	68/69	70/70	71/71	73/73
Airflow Rate	Indoor / Outdoor (Cooling)	High	1,050/2,160	1,050/2,240	1,150/2,700	1,600/3,750	1,870/3,750	2,000/4,450	2,100/4,450
	Indoor / Outdoor (Heating)	High	1,050/1,830	1,050/1,960	1,150/2,700	1,600/3,750	1,870/3,750	2,000/4,450	2,100/4,450
Net Dimensions H x W x D	Indoor	mm	246x840x840	246x840x840	246x840x840	288x840x840	288x840x840	288x840x840	288x840x840
	Outdoor	mm	632x799x290	632x799x290	716x820x315	788x940x320	788x940x320	998x940x320	998x940x320
Weight	Indoor	kg(lbs)	23 (51)	23 (51)	24 (53)	26 (57)	29 (64)	29 (64)	29 (64)
	Outdoor	kg(lbs)	36 (79)	38 (84)	42 (93)	52 (115)	52 (115)	67 (148)	67 (148)
Connection Pipe Diameter (Liquid / Gas)		mm	6.35/12.70	6.35/12.70	6.35/12.70	9.52/15.88	9.52/15.88	9.52/15.88	9.52/15.88
Drain hose Diameter (I.D./O.D.)			25/32	25/32	25/32	25/32	25/32	25/32	25/32
Max Pipe Length (Pre-Charge)		m	30 (20)	30 (20)	30 (20)	50 (30)	50 (30)	50 (30)	50 (30)
Max Height Difference			20	25	25	30	30	30	30
Operation Range	Cooling	°CDB	-15 to 46	-15 to 46	-15 to 46	-15 to 46	-15 to 46	-15 to 46	-15 to 46
	Heating		-15 to 24	-15 to 24	-15 to 24	-15 to 24	-15 to 24	-15 to 24	-15 to 24
Refrigerant	Type (Global Warming Potential)		R32 (675)	R32 (675)	R32 (675)	R32 (675)	R32 (675)	R32 (675)	R32 (675)
	Charge	kg(CO2eq-T)	1.02 (0.689)	1.25 (0.844)	1.25 (0.844)	1.90 (1.283)	1.90 (1.283)	2.70 (1.823)	2.70 (1.823)
Cassette Grille	Variation		UTG-UKYA-W: White Color with touch panel wired remote controller UTG-UKYC-W: White Color / UTG-UKYA-B*1: Black Color						
	Dimensions (H x W x D)	mm	53x950x950	53x950x950	53x950x950	53x950x950	53x950x950	53x950x950	53x950x950
	Weight	kg(lbs)	6.0 (13)	6.0 (13)	6.0 (13)	6.0 (13)	6.0 (13)	6.0 (13)	6.0 (13)

*1: IR Receiver kit and human sensor kit cannot be connected.

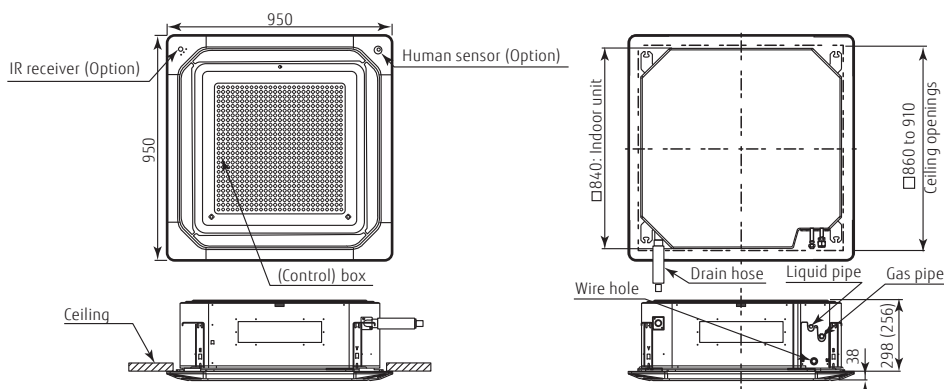
Optional parts

- Wired Remote Controller: UTY-RNRYZ3, UTY-RLRY, UTY-RVNYM, UTY-RNNYM
- Simple Remote Controller: UTY-RSRY, UTY-RHRY, UTY-RSNYM
- IR Receiver Kit: UTY-LBTYC
- Wireless LAN Interface: UTY-TFSXZ1
- Human Sensor Kit: UTY-SHZXC
- Cassette Grille: UTG-UKYA-W, UTG-UKYC-W, UTG-UKYA-B
- Wide Panel: UTG-AKXA-W
- Panel Spacer: UTG-BKXA-W
- Fresh Air Intake Kit: UTZ-VXRA
- Air Outlet Shutter Plate: UTR-YDZK
- Insulation Kit for High Humidity: UTZ-KXRA
- External Input and Output PCB (with box): UTY-XCSX + UTZ-GXRA
- External Connect Kit: UTY-XWZXZG



Dimensions

(Unit : mm)



() : AUXG18/22/24KRLB