

SPLIT

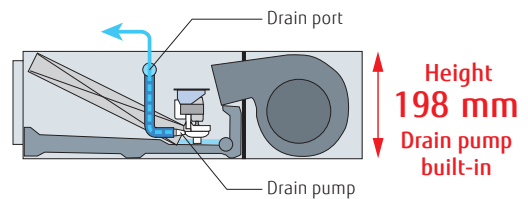
# Slim Duct

Slim & Comfort



## Slim design

The slim design allows installations where ceilings are narrow. Drain hose as standard accessory



## Flexible installation

2-type installation methods of ceiling concealed and floor concealed can be selected.

Ceiling concealed

Floor concealed



## Selectable with a wide range of static pressure

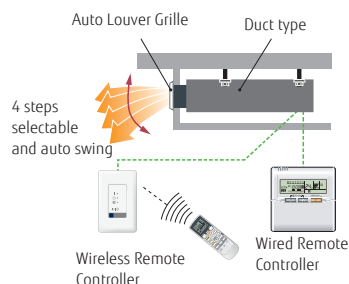
By using the DC fan motor, it is possible to change the static pressure range from 0 to 90 Pa. The change of static pressure range is possible by remote controller.



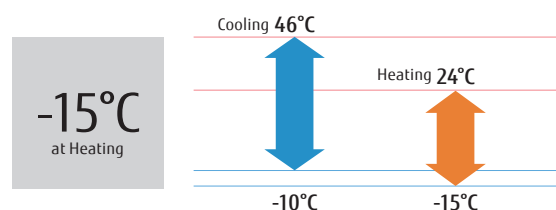
Static pressure range  
0 to 90 Pa

## Auto Louver Grille Kit (Option)

Simple flat Auto Louver will provide comfort airflow and harmonize with luxury interior.



## Low ambient operation



**Model : ARYG12LLTB / ARYG14LLTB / ARYG18LLTB**



ARYG12/14LLTB



ARYG18LLTB



Wired R.C.



For ARYG12/14LLTB



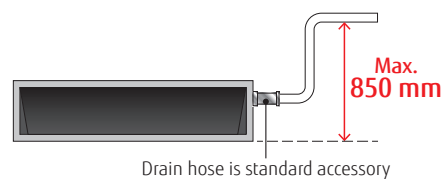
For ARYG18LLTB

**Specifications**

| Model No.                               | Indoor unit                     |         | ARYG12LLTB    | ARYG14LLTB    | ARYG18LLTB    |
|---|---------------------------------|---------|---------------|---------------|---------------|
|   | Outdoor unit                    |         | AOYG12LALL    | AOYG14LALL    | AOYG18LBCB    |
| Power Source                            | Single-phase, ~230V, 50Hz       |         |               |               |               |
| Capacity                                | Cooling                         | kW      | 3.5 (0.9-4.4) | 4.3 (0.9-5.4) | 5.2 (0.9-5.9) |
|   | Heating                         |         | 4.1 (0.9-5.7) | 5.0 (0.9-6.5) | 6.0 (0.9-7.5) |
| Input Power                             | Cooling/Heating                 |         | 1.05/1.11     | 1.33/1.34     | 1.62/1.66     |
|   | Cooling                         | W/W     | 3.33          | 3.21          | 3.21          |
| COP                                     | Heating                         |         | 3.69          | 3.71          | 3.61          |
| Pdesign                                 | Cooling/Heating(-10°C)          |         | 3.5/4.2       | 4.3/4.5       | 5.2/5.2       |
| SEER                                    | Cooling                         |         | 5.90          | 5.80          | 6.20          |
| SCOP                                    | Heating                         |         | 4.00          | 3.90          | 4.10          |
| Energy Efficiency Class                 | Cooling                         |         | A+            | A+            | A++           |
|   | Heating                         |         | A+            | A             | A+            |
| Max. Operating Current                  | Cooling/Heating                 |         | 7.5/10.0      | 9.0/12.5      | 11.5/13.5     |
| Annual Energy Consumption               | Cooling                         |         | 207           | 259           | 294           |
|   | Heating                         |         | 1,467         | 1,614         | 1,775         |
| Moisture Removal                        |                                 |         | 1.3           | 1.5           | 2.0           |
| Sound Pressure Level                    | Indoor (Cooling)                | H/M/L/Q | 29/28/26/25   | 32/30/28/26   | 32/30/29/27   |
|   | Indoor (Heating)                | H/M/L/Q | 29/28/26/24   | 32/30/28/25   | 32/30/29/27   |
|   | Outdoor(Cooling/Heating)        | High    | 47/48         | 49/49         | 50/50         |
| Sound Power Level                       | Indoor(Cooling/Heating)         | High    | 58/58         | 60/60         | 58/58         |
|   | Outdoor(Cooling/Heating)        | High    | 61/63         | 62/64         | 62/65         |
| Airflow Rate                            | Indoor / Outdoor (Cooling)      | High    | 650/1,780     | 800/1,910     | 940/2,380     |
|   | Indoor / Outdoor (Heating)      | High    | 650/1,630     | 800/1,740     | 940/2,080     |
| Static pressure range (Standard)        |                                 |         | 0 to 90 (25)  | 0 to 90 (25)  | 0 to 90 (25)  |
| Net Dimensions H x W x D                | Indoor                          | mm      | 198×700×620   | 198×700×620   | 198×900×620   |
|   | Outdoor                         | mm      | 578×790×300   | 578×790×300   | 632×799×290   |
| Weight                                  | Indoor                          | kg(lbs) | 19 (42)       | 19 (42)       | 23 (51)       |
|   | Outdoor                         | kg(lbs) | 40 (88)       | 40 (88)       | 36 (79)       |
| Connection Pipe Diameter (Liquid / Gas) |                                 |         | 6.35/9.52     | 6.35/12.70    | 6.35/12.70    |
| Drain hose Diameter (I.D./O.D.)         |                                 |         | 25/32         | 25/32         | 25/32         |
| Max Pipe Length (Pre-Charge)            |                                 |         | 25 (15)       | 25 (15)       | 25 (15)       |
| Max Height Difference                   |                                 |         | 15            | 15            | 15            |
| Operation Range                         | Cooling                         |         | -10 to 46     | -10 to 46     | -10 to 46     |
|   | Heating                         |         | -15 to 24     | -15 to 24     | -15 to 24     |
| Refrigerant                             | Type (Global Warming Potential) |         | R410A (2,088) | R410A (2,088) | R410A (2,088) |
|   | Charge                          |         | 1.15 (2.4)    | 1.25 (2.6)    | 1.20 (2.5)    |

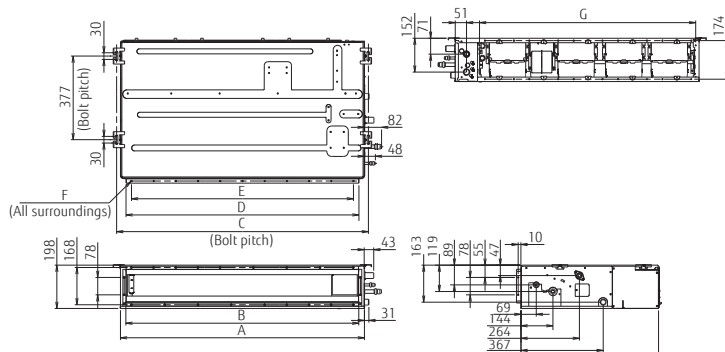
**Optional parts**

- Wired Remote Controller: UTY-RNNYM, UTY-RVNYM
- Simple Remote Controller: UTY-RSNYM
- IR Receiver Kit: UTY-LRHYM
- Remote Sensor Unit: UTY-XSZX
- Auto Louver Grille Kit: UTD-GXTA-W (ARYG12 / 14LLTB)  
UTD-GXTB-W (ARYG18LLTB)
- External connect kit: UTD-ECS5A
- Wireless LAN Interface: UTY-TFNXZ1



**Dimensions**

(Unit : mm)



|   | ARYG12 / 14LLTB | ARYG18LLTB |
|---|-----------------|------------|
| A | 700             | 900        |
| B | 650             | 850        |
| C | 734             | 934        |
| D | 650             | 850        |
| E | P100x6=600      | P100x8=800 |
| F | 18xØ5           | 22xØ5      |
| G | 574             | 774        |