

SPLIT

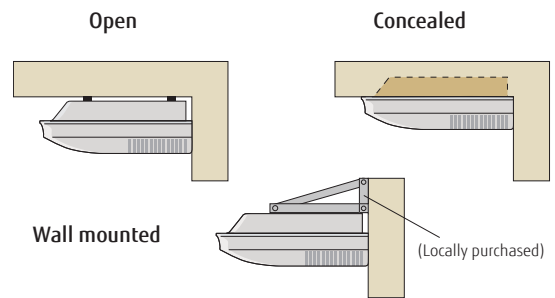
Ceiling

Comfort for Large Room



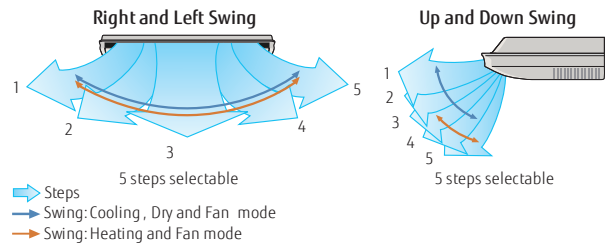
Flexible installation

Various installations are possible to match the room layout.

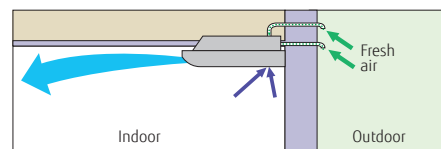


Multi auto swing

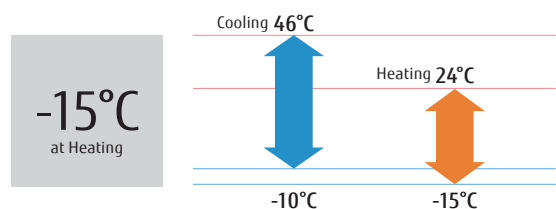
A combination of right/left and up/down directional swing allows 3-dimensional air direction control.



Fresh air intake



Low ambient operation



**Model : ABYG30LRTE / ABYG36LRTE / ABYG45LRTA /
ABYG36LRTA [3 phase] / ABYG45LRTA [3 phase] / ABYG54LRTA [3 phase]**



Wireless R.C.



For ABYG30/36LRTE



For ABYG45LRTA
(Single -phase)



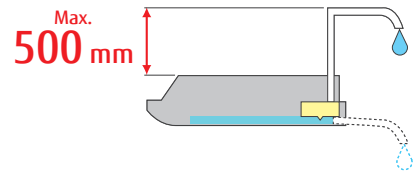
For ABYG36/45/54LRTA

Specifications

Model No.	Indoor unit		ABYG30LRTE	ABYG36LRTE	ABYG45LRTA	ABYG45LRTA	ABYG36LRTA	ABYG45LRTA	ABYG54LRTA
	Outdoor unit		AOYG30LETL	AOYG36LETL	AOYG45LBTC	AOYG45LETL	AOYG36LATT	AOYG45LATT	AOYG54LATT
Power Source			Single-phase, ~230V, 50Hz				3-phase, ~400V, 50Hz		
Capacity	Cooling	kW	8.5 (2.8-10.0)	9.4 (2.8-11.2)	12.1 (4.0-13.0)	12.1 (4.0-13.3)	10.0 (4.7-11.4)	12.5 (5.0-14.0)	14.0 (5.4-16.0)
	Heating		10.0 (2.7-11.2)	11.2 (2.7-12.7)	13.3 (4.2-15.2)	13.3 (4.2-15.5)	11.2 (5.0-14.0)	14.0 (5.4-16.2)	16.0 (5.8-18.0)
Input Power	Cooling/Heating	kW	2.65/2.77	2.93/3.02	4.29/3.84	3.77/3.68	2.84/2.87	3.89/3.88	4.65/4.67
EER	Cooling	W/W	3.21	3.21	2.82	3.21	3.52	3.21	3.01
COP	Heating		3.61	3.71	3.46	3.61	3.90	3.61	3.43
Pdesign	Cooling/Heating(-10°C)	kW	8.5/8.0	9.4/8.7	-	-	10.0/10.0	-	-
SEER	Cooling	W/W	6.10	6.00	-	-	6.10	-	-
SCOP	Heating		4.20	4.10	-	-	4.10	-	-
Energy Efficiency Class	Cooling	A++		A+	-	-	A++	-	-
	Heating	A+		A+	-	-	A+	-	-
Max. Operating Current	Cooling/Heating	A	17.0/17.0	18.5/20.0	23.5/23.5	20.5/20.5	7.9/7.9	8.9/8.9	9.9/9.9
Annual Energy Consumption	Cooling	kWh/a	487	548	-	-	573	-	-
	Heating		2,662	2,965	-	-	3,414	-	-
Moisture Removal		l/h	2.5	3.0	4.0	4.0	3.0	4.5	5.0
Sound Pressure Level	Indoor (Cooling)	H/M/L/Q	45/43/37/32	47/43/37/32	49/45/39/34	49/45/39/34	47/43/37/32	49/45/39/34	51/48/42/38
	Indoor (Heating)	H/M/L/Q	45/43/37/32	47/43/37/32	49/45/39/34	49/45/39/34	47/43/37/32	49/45/39/34	51/48/42/38
Sound Power Level	Outdoor(Cooling/Heating)	High	53/55	54/55	58/58	55/55	51/53	54/54	55/56
	Indoor(Cooling/Heating)	High	57/60	60/61	-	-	61/61	-	-
Airflow Rate	Indoor / Outdoor (Cooling)	High	1,660/3,600	1,900/3,800	2,100/4,650	2,100/6,750	1,900/6,200	2,100/6,750	2,300/6,900
	Indoor / Outdoor (Heating)	High	1,660/3,600	1,900/3,800	2,100/4,650	2,100/6,200	1,900/6,200	2,100/6,200	2,300/6,900
Net Dimensions H x W x D	Indoor	mm	240×1,660×700	240×1,660×700	240×1,660×700	240×1,660×700	240×1,660×700	240×1,660×700	240×1,660×700
	Outdoor	mm	830×900×330	830×900×330	914×970×370	1,290×900×330	1,290×900×330	1,290×900×330	1,290×900×330
Weight	Indoor	kg(lbs)	46 (101)	46 (101)	46 (101)	46 (101)	46 (101)	46 (101)	48 (106)
	Outdoor	kg(lbs)	61 (134)	61 (134)	75 (165)	86 (189)	104 (229)	104 (229)	104 (229)
Connection Pipe Diameter (Liquid / Gas)		mm	9.52/15.88	9.52/15.88	9.52/15.88	9.52/15.88	9.52/15.88	9.52/15.88	9.52/15.88
Drain port Diameter (I.D./O.D.)			22.0/25.6	22.0/25.6	21.5/26.0	21.5/26.0	21.5/26.0	21.5/26.0	21.5/26.0
Max Pipe Length (Pre-Charge)		m	50 (20)	50 (20)	50 (20)	50 (20)	75 (30)	75 (30)	75 (30)
Max Height Difference			30	30	30	30	30	30	30
Operation Range	Cooling	°CDB	-15 to 46	-15 to 46	-15 to 46	-15 to 46	-15 to 46	-15 to 46	-15 to 46
	Heating		-15 to 24	-15 to 24	-15 to 24	-15 to 24	-15 to 24	-15 to 24	-15 to 24
Refrigerant	Type (Global Warming Potential)		R410A (2,088)	R410A (2,088)	R410A (2,088)	R410A (2,088)	R410A (2,088)	R410A (2,088)	R410A (2,088)
	Charge	kg(CO2eq-T)	2.10 (4.4)	2.10 (4.4)	2.90 (6.1)	3.35 (7.0)	3.45 (7.2)	3.45 (7.2)	3.45 (7.2)

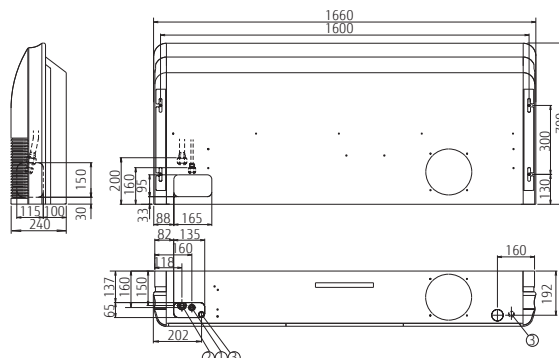
Optional parts

- Wired Remote Controller: UTY-RNNYM, UTY-RVNYM
- Simple Remote Controller: UTY-RSNYM
- Drain Pump Unit: UTR-DPB24T
- Flange (Round): UTD-RF204
- Wireless LAN Interface: UTY-TFNXZ1
- External Connect Kit: UTD-ECSSA, UTY-XWZX



Dimensions

(Unit : mm)



- ① Refrigerant piping flare connection (Liquid)
- ② Refrigerant piping flare connection (Gas)
- ③ Drain piping connection